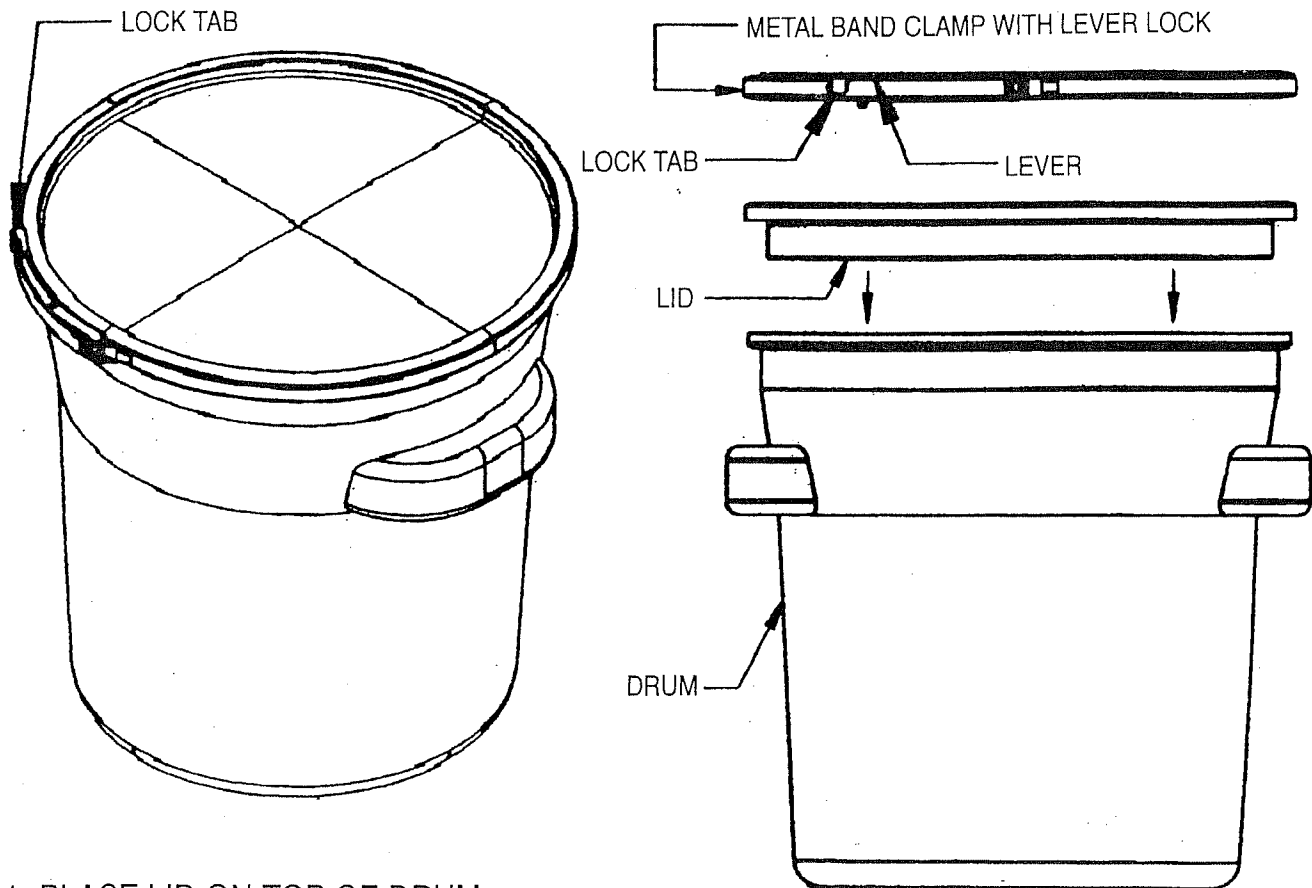


EAGLE MANUFACTURING COMPANY
WELLSBURG, WV 26070
www.eagle-mfg.com

INSTRUCTIONS ON HOW TO ASSEMBLE LID AND METAL
BAND CLAMP WITH LEVER LOCK TO A DRUM
FOR: MODEL 1610MB 14 GALLON LABPACK
MODEL NO. 1654 20 GALLON SALVAGE DRUM AND
MODEL NO. 1602 30 GALLON SALVAGE DRUM



1. PLACE LID ON TOP OF DRUM.
2. AFTER PLACING LID ON DRUM, MAKE SURE THE TOP OUTSIDE DIAMETER OF DRUM IS INSIDE LID AND AGAINST GASKET ALL AROUND DRUM BEFORE INSTALLING METAL BAND CLAMP.
3. OPEN METAL BAND CLAMP LEVER UNTIL IT STAYS OPEN.
4. PLACE THE BAND CLAMP OVER THE DRUM AND LID, WITH BAND ON A SLIGHT ANGLE, SO THE SIDE OPPOSITE THE LEVER GOES ON THE LID AND DRUM FIRST USING YOUR LEFT HAND. YOUR RIGHT HAND WILL BE ON THE LEVER.
5. CONTINUE HOLDING CLAMP TO DRUM WITH LEFT HAND WHILE LOWERING LEVER SIDE OF BAND WITH RIGHT HAND UNTIL BAND IS LEVEL AND ALL AROUND LID AND DRUM.
6. PULL THE LEVER TOWARD THE CLOSED POSITION UNTIL IT SNAPS INTO THE LOCKED POSITION AROUND THE LID AND DRUM.
7. NOW ROTATE THE LOCK TAB INTO THE SLOT AT THE END OF THE LEVER. MAKE SURE LOCK TAB ENTERS FROM TOP SIDE OF BAND ASSEMBLY.

**CLOSURE INSTRUCTIONS FOR UN/DOT APPROVED
CONTAINERS WITH SCREW LIDS**

**EAGLE MANUFACTURING COMPANY
2400 CHARLES STREET
WELLSBURG, WV 26070
www.eagle-mfg.com**

**APPLICABLE TO THE FOLLOWING EAGLE PRODUCT MODEL
NOS.:**

1650 - 20 GALLON CAPACITY
1600SL - 30 GALLON CAPACITY
1661 - 65 GALLON CAPACITY
1690 - 95 GALLON CAPACITY

INSTRUCTIONS FOR USE:

TO OPEN: Remove threaded lid by rotating lid counterclockwise until fully disengaged from drum. Notches are provided in lid to accept a wooden 2" x 4" board to assist in unscrewing lid. Hammer impact on 2"x4" board may assist in loosening lid.

TO CLOSE: Assemble threaded lid to top of drum by aligning and placing lid onto open top of container, and then rotating lid in a clockwise direction until fully engaged. Notches are provided in lid to accept a wooden 2" x 4" board for additional tightening. Hammer impact on 2"x4" board may be used to assist in tightening lid.

jgg, 12-03-02
rev. 03-03-04